

# PARTS MANUAL

## GTWY2000 SERIES

DUAL MAST MOBILE ELEVATING WORK PLATFORMS  
GTWY 8-2000, 10-2000, 12-2000, 14-2000, 16-2000



## WARNING

THE MANUFACTURER SHALL NOT BE HELD LIABLE IN CASE OF FAULTS OR ACCIDENTS DUE TO NEGLIGENCE, INCAPACITY, INSTALLATION BY UNQUALIFIED TECHNICIANS AND IMPROPER USE OF THE MACHINE

DO NOT OPERATE THIS MACHINE UNTIL YOU READ AND UNDERSTAND ALL THE DANGERS, WARNINGS AND CAUTIONS IN THIS MANUAL

## Foreword

We are very appreciated for your interest in using with Dingli@machine and choosing it for your application. Our priority above all is that you can use the machine safely for your application and you can benefit from the Dingli@machine mostly. For these reasons we hope you can:

1. Comply with employer, job site and local governmental rules.
2. The manual provides very important information about the machine. It is essential to the owner or the operator who use the machine. So we strongly recommend that you should read the manual thoroughly before attempting to do anything with the machine, so as to understand and follow the instruction or other information in the manual, especially the safety information.
3. Dingli cannot anticipate every possible circumstance that might involve a potential hazard. The warnings in this publication and on the product are, therefore, not all inclusive. If a tool, procedure, work method or operating technique that is not specifically recommended by Dingli is used, you must satisfy yourself that it is safe for you and for others. You should also ensure that the product will not be damaged or be made unsafe by the operation, lubrication, maintenance or repair procedure that you choose.
4. The information, specifications, and illustrations in this publication are on the basis of information that was available at the time that the publication was written. Due to the continuous improvements, Dingli reserve the rights to make the specifications changes without prior notification. Please contact with Dingli dealers or Dingli distributors to obtain the complete and most current information.
5. Any one who read the manual or used the machine, is encouraged to notify Dingli Machinery Co., Ltd of any errors or send in suggestions for improvement. All communications will be carefully considered for future printings of this and other manuals, certainly if you have any question about the machine, please contact with our team by dialing technical support phone, sending email, or any methods you want, etc. Our contact information as below:

Manufacturer :

### **Zhejiang Dingli Machinery Co.,Ltd International Office**

**Phone:** 0086-572-8681688  
**Fax:** 0086-572-8681690  
**Email:** export@chinadinli.com

Importer:

**INSTANT**

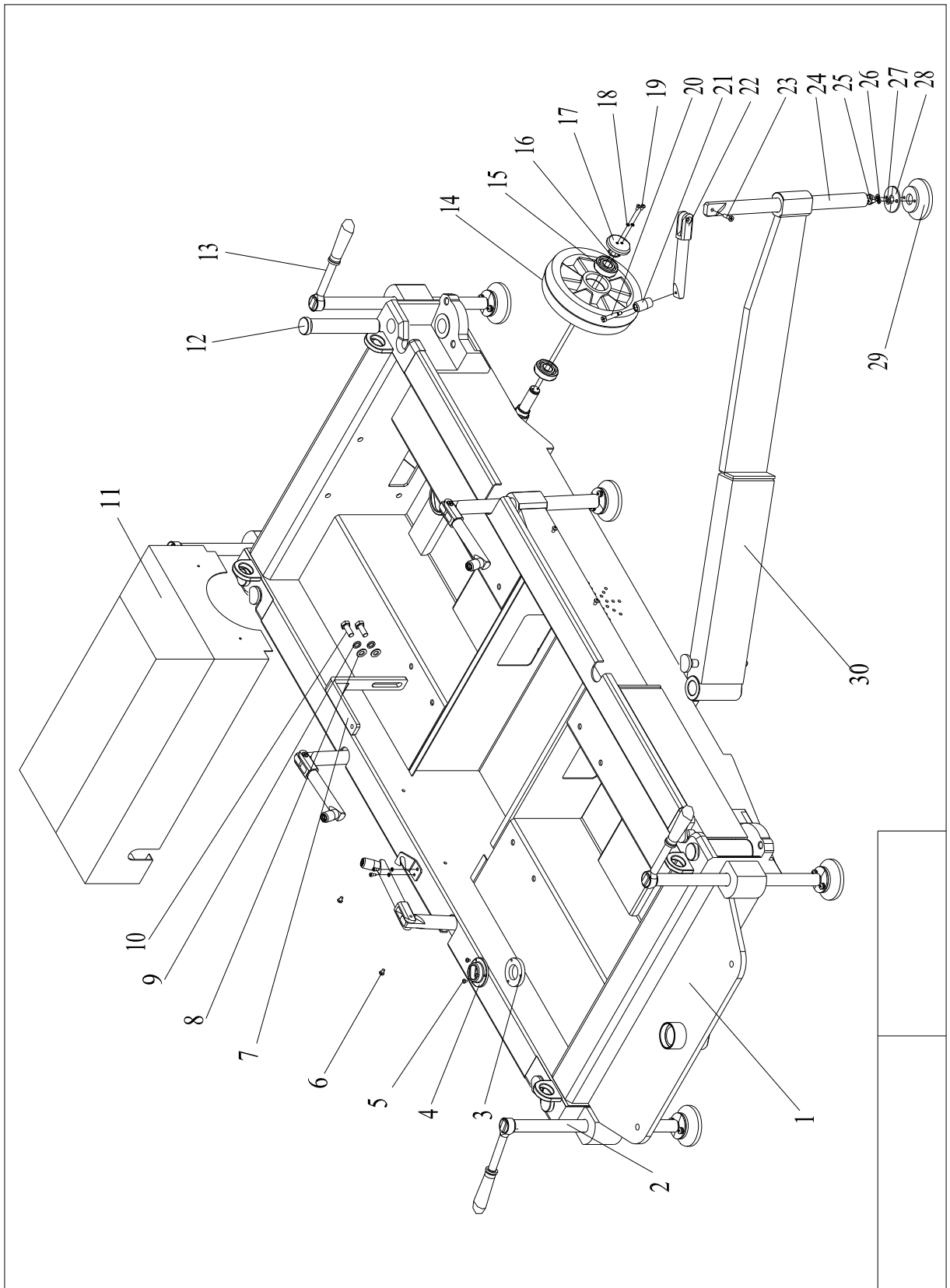
Enebakkveien 441 B  
1290 OSLO, Norway  
Tlf: +47 23 19 11 00; +47 23 19 11 11 (service)  
Faks: 23 19 11 01  
[post@instant.no](mailto:post@instant.no)  
<http://www.instant.no>

## Revision Log

Original Issue of Manual ..... April 2011

## **Contents**

<b>Section 1 Chassis.....</b>	<b>1</b>
<b>Section 2 Steering Unit .....</b>	<b>4</b>
<b>Section 3 Front Mast .....</b>	<b>6</b>
<b>Section 4 Back Mast.....</b>	<b>9</b>
<b>Section 5 Chain Assembly.....</b>	<b>13</b>
<b>Section 6 Platform and Guardrail.....</b>	<b>15</b>
<b>Section 7 Hydraulic System .....</b>	<b>18</b>
<b>Section 8 Electrical Cabinet .....</b>	<b>20</b>
<b>Section 9 DC Control System.....</b>	<b>22</b>



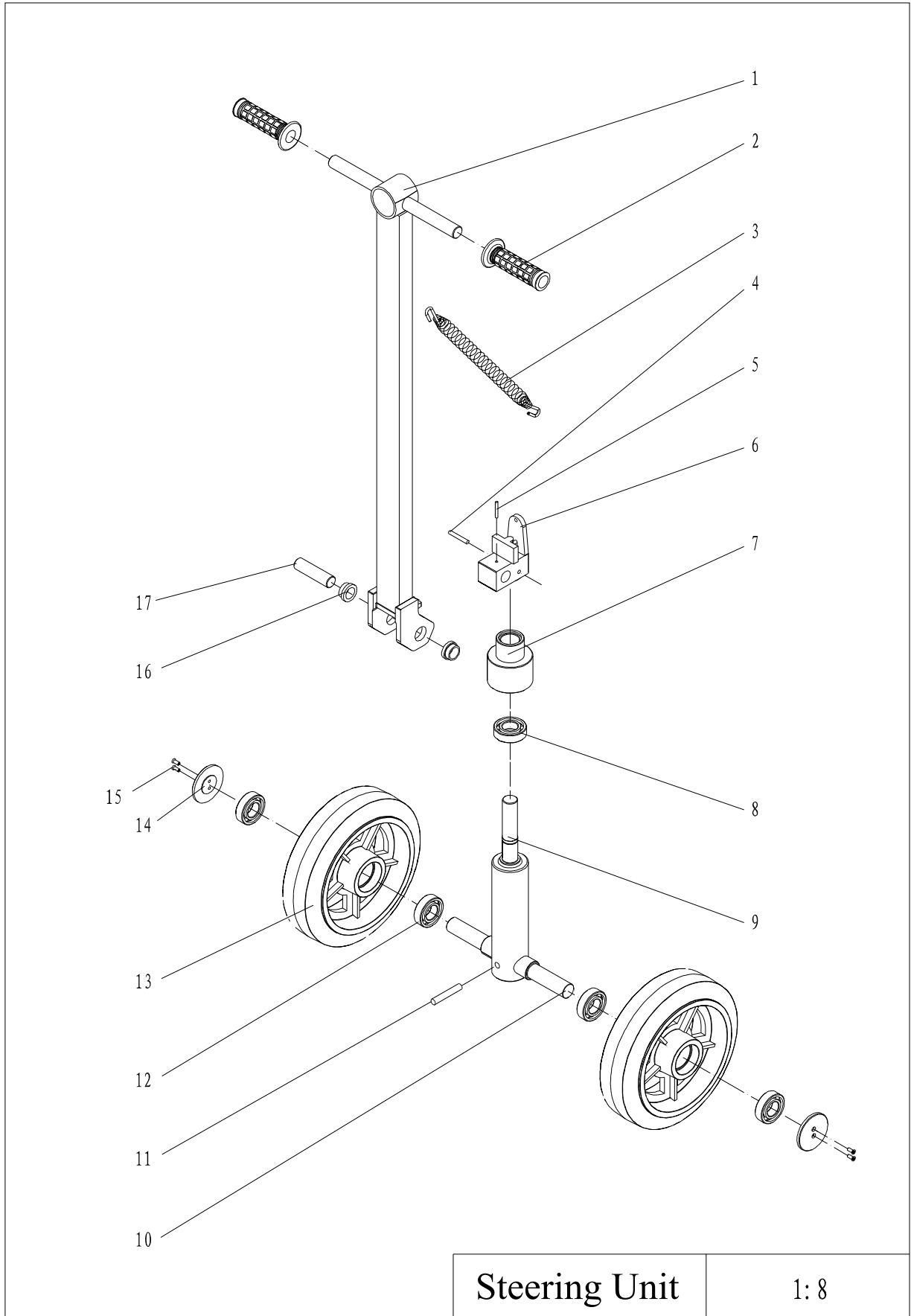
## Spareparts For Chassis

No.	Part Number	Description	Quantity	Remark
1	GTWY8-110100	Chassis Base	1	
2	GTWY8-110400	Turning Leg	4	
3	GTWY8-010005	Rubber Pad	1	
4	GTWY8-010004	Spirit Level	1	
5	GB/T818-2000	Screw M4×8	3	
6	GB/T818-2000	Screw M5×8	4	
7	GTWY8D-110001	Bracket	1	
8	GB/T97.1-2002	Washer 10	2	
9	GB/T93-87	Spring Washer 10	2	
10	GB/T5783-2000	Bolt M10 ×25	2	
11	GTWY8S-110003	Motor Cover	1	
12	GTWY8-110005	Pin	4	
13	GTWY12S-110600	Ratchet Wheel Spanner	4	
14	GTWY8S-110001	Rear Wheel	2	
15	GB/T276-1994	Bearing 6204	4	
16	GB/T894.1-1986	Circlip 20	2	
17	GTWY8-110004	Flange	2	
18	GB/T93-87	Spring Washer 4	4	
19	GB/T818-2000	Screw M4×12	4	
20	GTWY8-110304	Pin	4	
21	GTWY8-110303	Handle	4	
22	GTWY8-110302	Rod	4	
23	GB/T819.1-2000	Screw M6×25	4	
24	GTWY8-110301	Bolt	4	

### Spareparts For Chassis

No.	Part Number	Description	Quantity	Remark
26	GB/T93-87	Spring Washer 6	16	
27	GB/T97.1-2002	Washer 6	16	
28	GTWY8-110305	Lune	16	
29	GTWY8-110307	Foot	8	
30	GTWY12S-110400	Turning Leg	4	

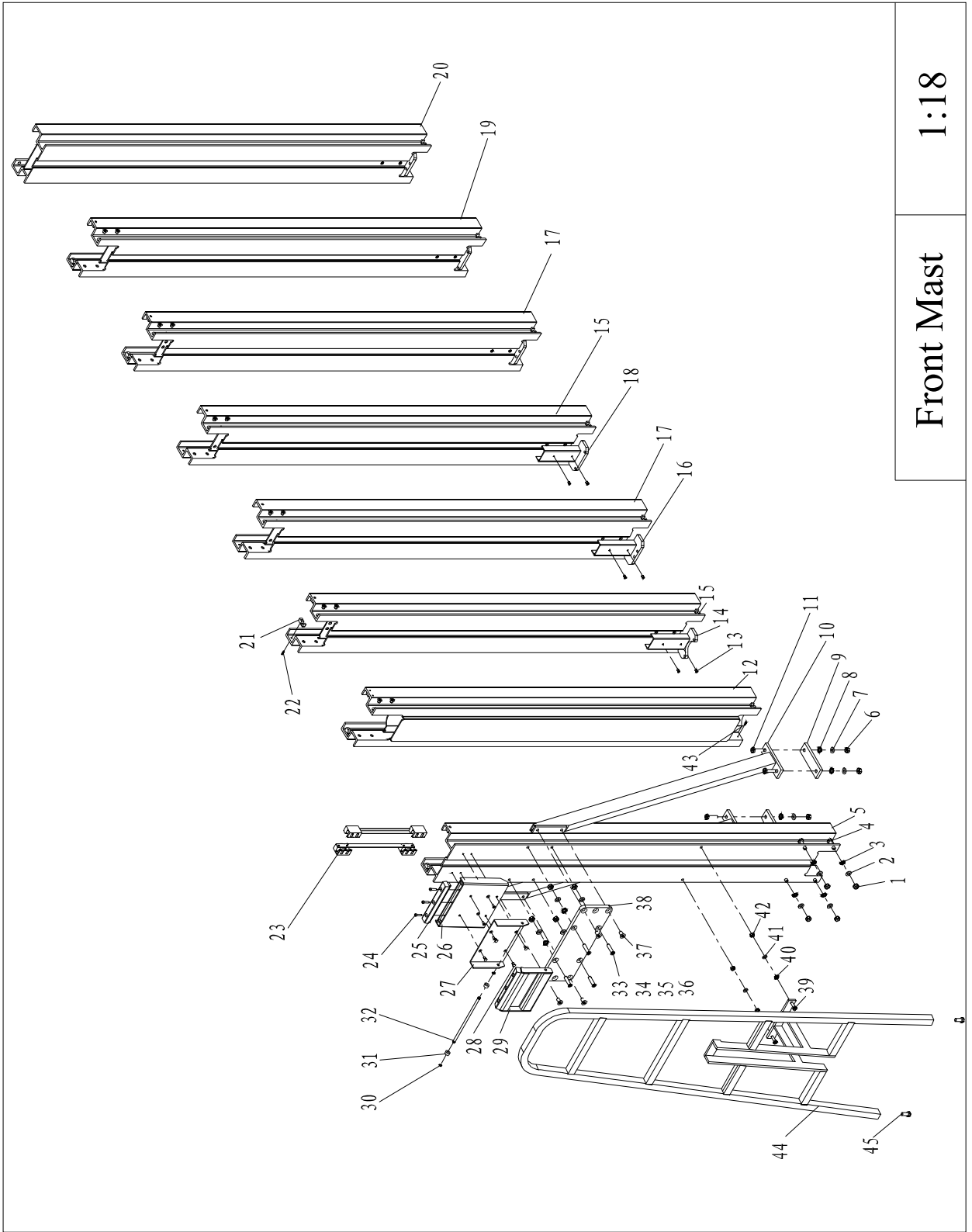
## Section 2 Steering Unit







### Section 3 Front Mast



1:18

Front Mast

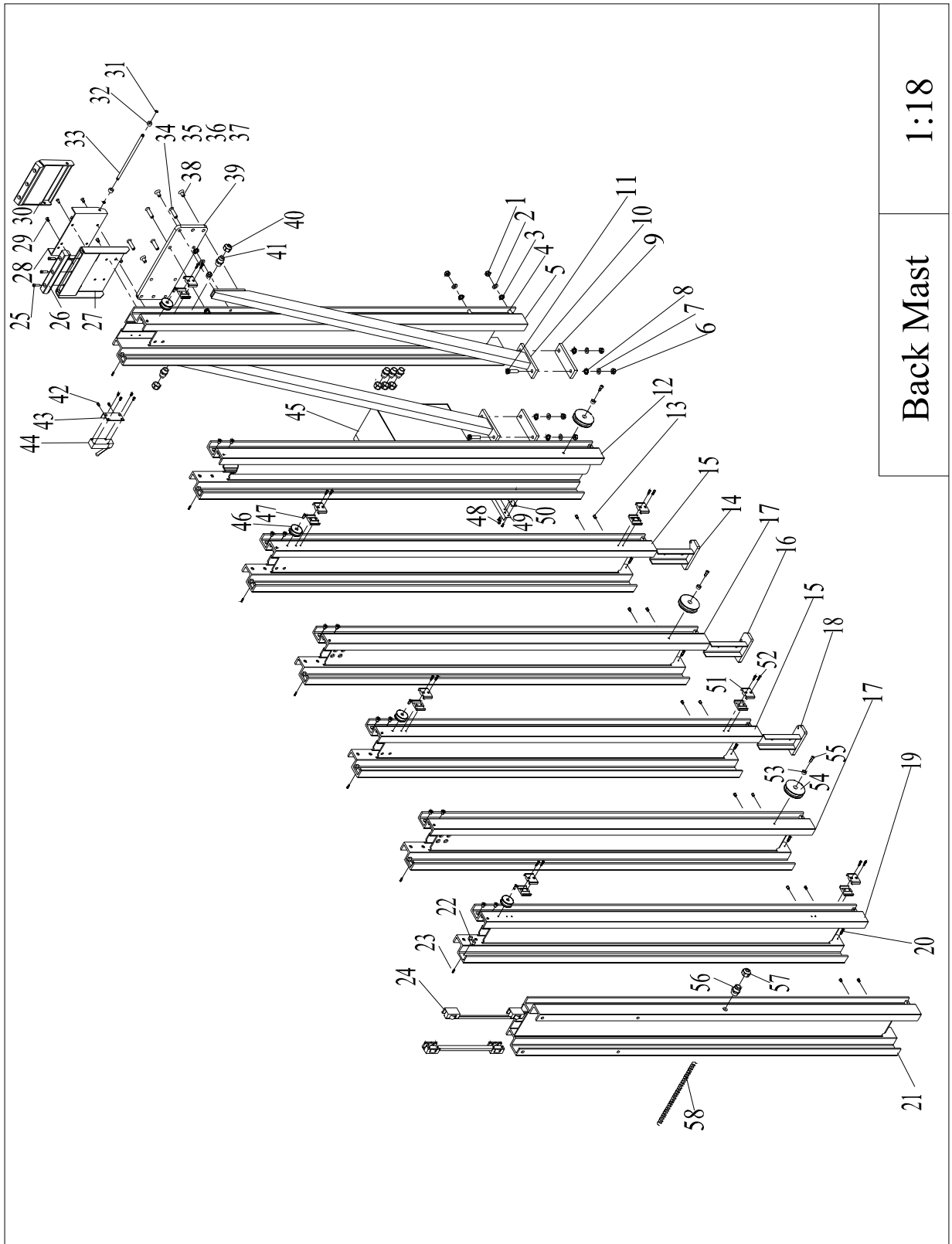
## Spareparts For Front Mast

No.	Part Number	Description	Quantity	Remark
1	GB/T6182-2000	Nut M10	4	
2	GB/T95-2002	Washer 10	4	
3	GB/T93-1987	Spring Washer 10	4	
4	GB/T5783-2000	Bolt M10×35	4	
5	GTWY12S-320001A	Mast 1#	1	
6	GB/T6182-2000	Nut M10	4	
7	GB/T95-2002	Washer 10	4	
8	GB/T93-1987	Spring Washer 10	4	
9	GTWY8-810003	Plate	2	
10	GTWY8-14102	Rectangle Tube	2	
11	GB/T819.1-2000	Screw M10×40	4	
12	GTWY12S-320002A	Mast 2#	1	
13	GB/T819.1-2000	Screw M6×10	12	
14	GTWY8-320600	Dragger	1	
15	GTWY12S-320003A	Mast 3#	2	
16	GTWY8-320700	Dragger 2	3	
17	GTWY12S-320004A	Mast 4#	2	
18	GTWY8-320800	Dragger 3	2	
19	GTWY12S-320005A	Mast 7#	1	
20	GTWY12S-320006A	Mast 8#	1	
21	GTWY8-320018	Slider	28	
22	GB/T846-1985	Screw ST3.5×16	14	
23	GTWY8-320100	Roller Assemble	14	
24	GB/T819.1-2000	Screw M5×12	6	
25	GTWY8S-840103	Rubber Washer	2	

## Spareparts For Front Mast

No.	Part Number	Description	Quantity	Remark
26	GTWY8S-840100	Back Plate	1	
27	GTWY8S-840002	Middle Plate	1	
28	GB/T819.1-2000	Screw M6×10	6	
29	GTWY8S-840200	Front Plate	1	
30	GB/T 896-1986	Circlip 8	2	
31	GTWY8S-840003	Spacer	2	
32	GTWY8S-840004	Shaft	1	
33	GB/T819.1-2000	Screw M10×40	4	
34	GB/T93-1987	Spring Washer 10	4	
35	GB/T95-2002	Washer 10	4	
36	GB/T6170-2000	Nut M10	4	
37	GB/T819.1-2000	Screw M10×20	6	
38	GTWY8-810002	Plate	1	
39	GB/T5783-2000	Bolt M8×30	2	
40	GB/T93-1987	spring washer 8	2	
41	GB/T95-2002	Washer 8	2	
42	GB/T6170-2000	Nut M8	2	
43	GB/T5285-1985	Screw ST3.5×16	14	
44	GTWY12S-830000	Ladder	1	
45	GB/T5783-2000	Screw M10×25	2	

### Section 4 Back Mast



1:18

Back Mast

## Spartparts For Back Mast

No.	Part Number	Description	Quantity	Remark
1	GB/T6182-2000	Nut M10	4	
2	GB/T95-2002	Washer 10	4	
3	GB/T93-1987	Spring Washer 10	4	
4	GB/T5783-2000	Bolt M10×35	4	
5	GTWY12S-320001A	Mast 1#	1	
6	GB/T6182-2000	Nut M10	4	
7	GB/T95-2002	Washer 10	4	
8	GB/T93-1987	Wpring Washer 10	4	
9	GTWY8-810003	Plate	2	
10	GTWY8-14102	Rectangle Tube	2	
11	GB/T819.1-2000	Screw M10×40	4	
12	GTWY12S-320002A	Mast 2#	1	
13	GB/T819.1-2000	Screw M6×10	12	
14	GTWY8-320600	Dragger	1	
15	GTWY12S-320003A	Mast 3#	2	
16	GTWY8-320700	Dragger 2#	3	
17	GTWY12S-320004A	Mast 4#	2	
18	GTWY8-320800	Dragger 3#	2	
19	GTWY12S-320005A	Mast 7#	1	
20	GB/T5285-1985	Screw ST3.5×16	14	
21	GTWY12S-320006A	Mast 8#	1	
22	GTWY8-320018	Slider	28	
23	GB/T846-1985	Screw ST3.5×16	14	
24	GTWY8-320100	Roller Assemble	14	
25	GB/T819.1-2000	Screw M5×12	6	

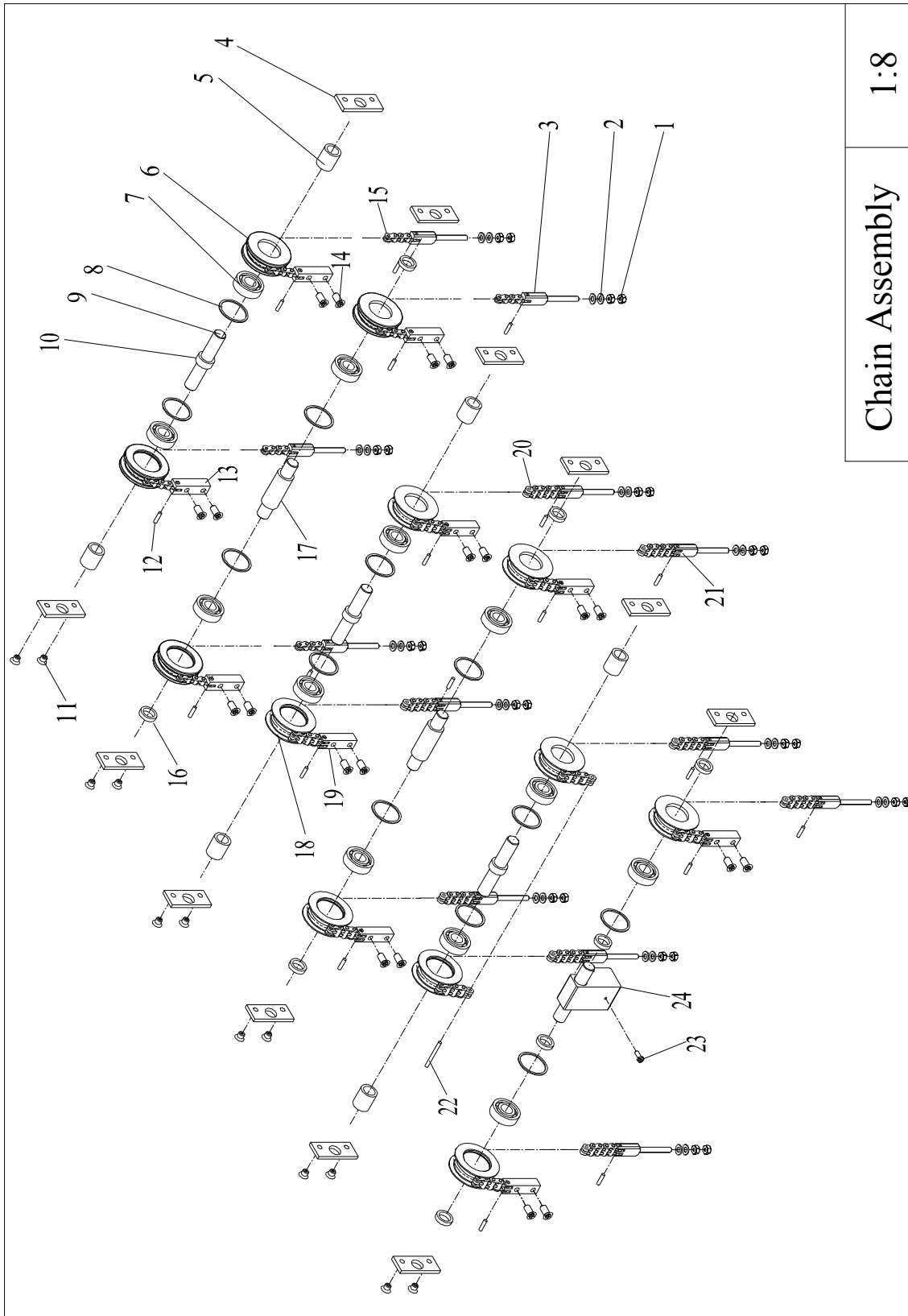
## Spartparts For Back Mast

No.	Part Number	Description	Quantity	Remark
26	GTWY8S-840103	Rubber Head	2	
27	GTWY8S-840100	Back Plate	1	
28	GTWY8S-840002	Middle Plate	1	
29	GB/T819.1-2000	Screw M6×10	6	
30	GTWY8S-840200	Front Plate	1	
31	GB/T 896-1986	Circlip 8	2	
32	GTWY8S-840003	Spacer	2	
33	GTWY8S-840004	Shaft	1	
34	GB/T819.1-2000	Screw M10×40	4	
35	GB/T93-1987	Spring Washer 10	4	
36	GB/T95-2002	Washer 10	4	
37	GB/T6170-2000	Nut M10	4	
38	GB/T819.1-2000	Screw M10×20	6	
39	GTWY8-810002	Plate	1	
40	GTWY8-320023	Nut(Small) M20×1.5	4	
41	GTWY8-320024	Connector(Small) M20×1.5	4	
42	GB/T5783-2000	Screw M5×10	6	
43	GTWY8-320012	Bracket	1	
44	AZ8104	Limit Switch	1	
45	GTWY8-710000	Electrical Cabinet	1	
46	GTWY8-320013	Pulley	4	
47	GB/T819.1-2000	Screw M6×16	4	
48	GB/T818-2000	Screw M4×8	3	
49	GTWY8-320010	Plate	1	
50	GTWY8-320011	Rubber Pad	1	





# Section 5 Chain Assembly

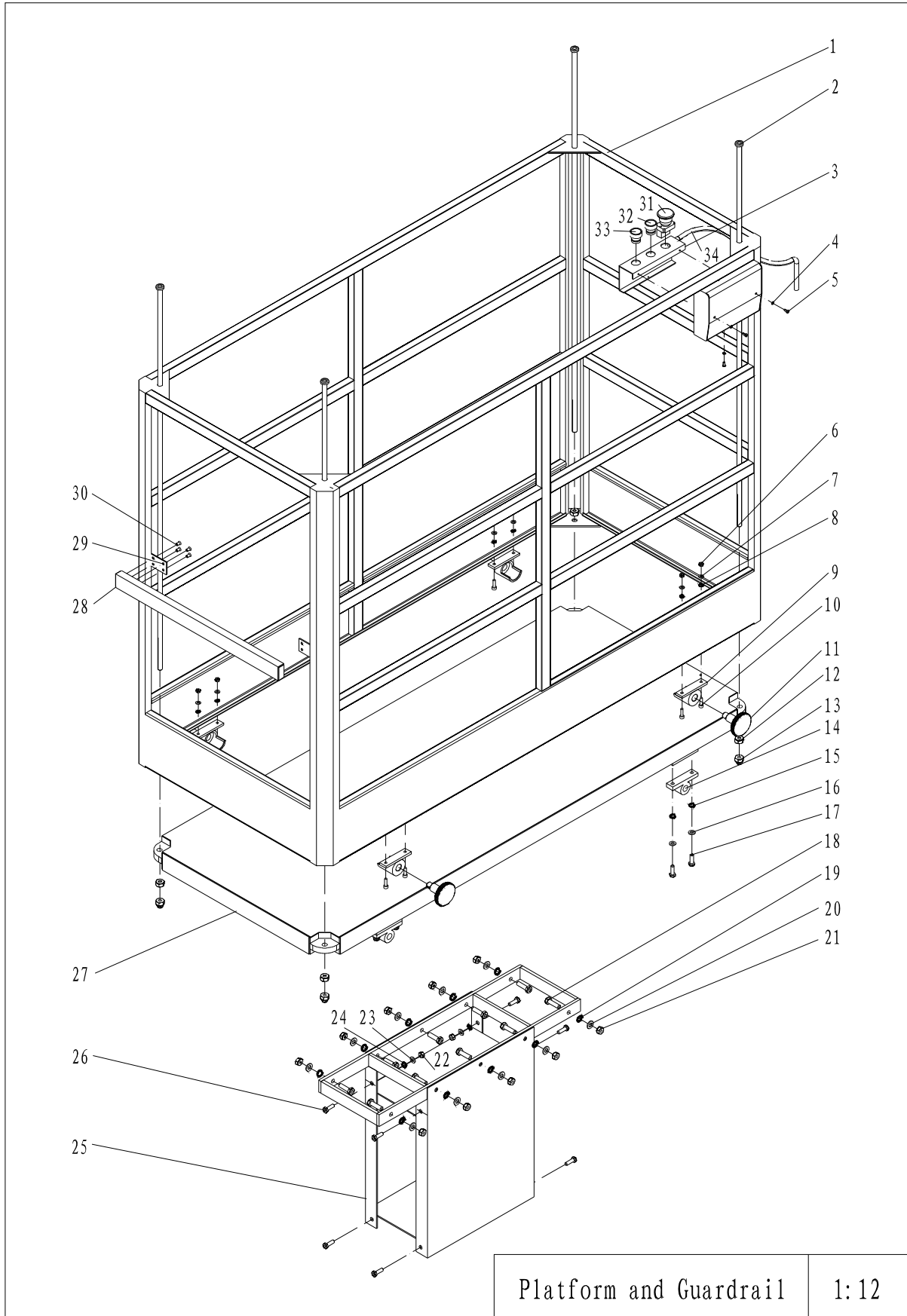


Chain Assembly 1:8

## Spareparts For Chain Assembly

No.	Part Number	Description	Quantity	Remark
1	GB/T6170-2000	Nut M8	24×2	
2	GB/T95-2002	Washer 8	24×2	
3	GTWY8-320017	Lower Single Chain Seat	4×2	
4	GTWY8-320201	Plate	12×2	
5	GTWY8-320205	Spacer 2	6×2	
6	GTWY8-320303	Chain Wheel	4×2	
7	GB/T276-1994	Bearing 6204	12×2	
8	GB/T893.1-1986	Circlip 47	12×2	
9	GTWY8-320202	Shaft	6×2	
10	GTWY8-320204	Spacer 1	3×2	
11	GB/T819.1-2000	Screw M10×10	24×2	
12	GTWY8-110311	Pin	22×2	
13	GTWY8-320016	Upper Single Chain Seat	4×2	
14	GB//T819.1-2000	Screw M10×20	20×2	
15	GB6074-85	Chain LH0822	4×2	
16	GTWY8-320302	Spacer 4	8×2	
17	GTWY8-320301	Spacer 3	2×2	
18	GTWY8-320203	Dual Chain Wheel	8×2	
19	GTWY8-320014	Upper Dual Chain Seat	6×2	
20	GB6074-85	Chain LH0844	8×2	
21	GTWY8-320015	Lower Dual Chain Seat	8×2	
22	GTWY8-320020	Pin	1×2	
23	GB//T5780-2000	Bolt M6×15	1×2	
24	GTWY8-320401	Chain Seat	1×2	

### Section 6 Platform and Guardrail

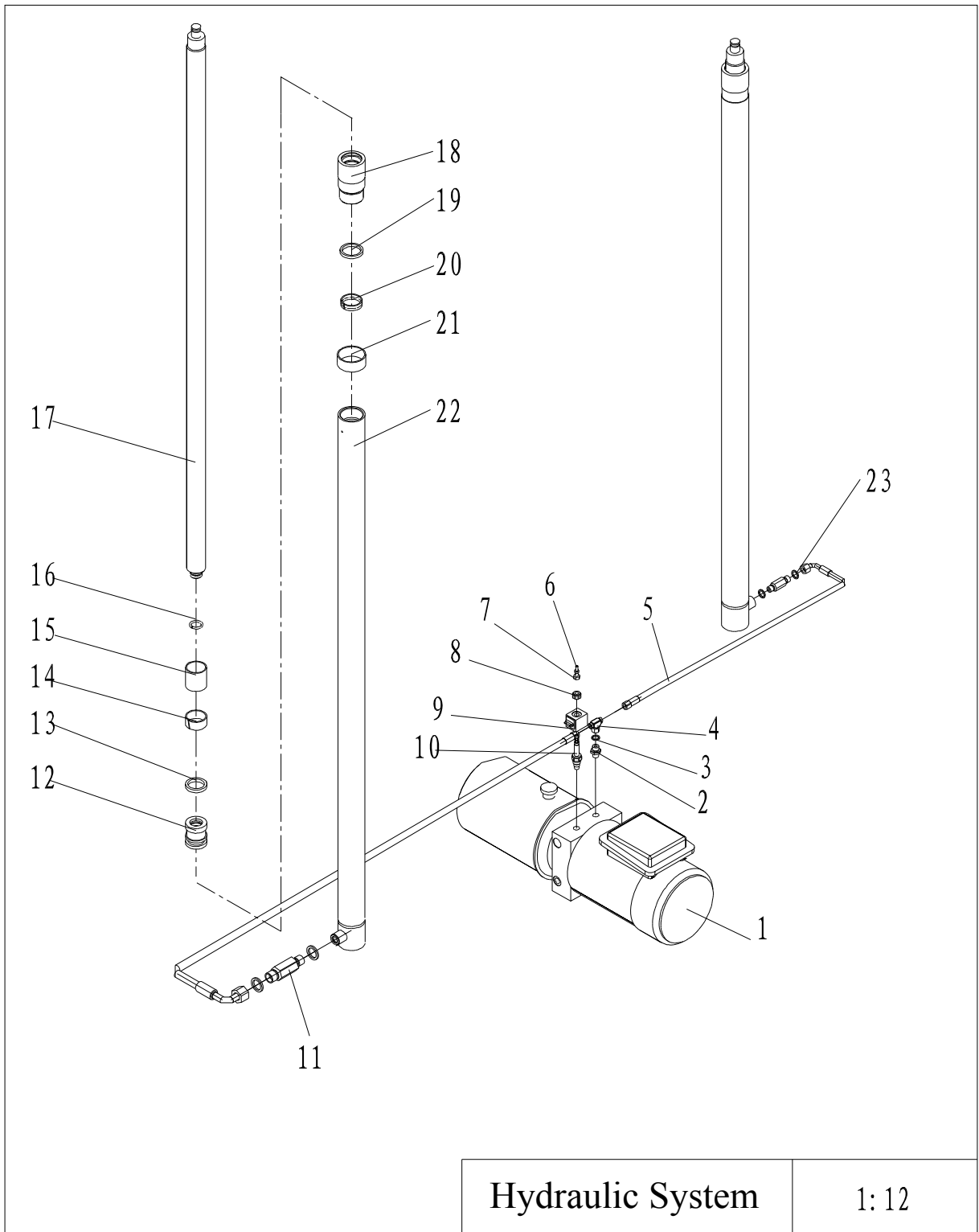


## Spareparts For Platform and Guardrail

No.	Part Number	Description	Quantity	Remark
1	GTWY10S-420200	Guardrail	1	
2	GTWY8S-420600	Rod	4	
3	GTWY8S-420001	Panel	1	
4	GB/T97.1-2002	Washer 4	3	
5	GB/T818-2000	Screw M4	3	
6	GB/T6170-2000	Nut M6	8	
7	GB/T97.1-2002	Washer 6	8	
8	GB/T93-1987	Spring Washer 6	8	
9	GTWY8S-420802	Connector 1	4	
10	GB/T70.1-2000	Screw M6	8	
11	GTWY8S-420801	Knob	4	
12	GB/T6170-2000	Nut M12	8	
13	GB/T802-1988	Nut M12	4	
14	GTWY8S-420804	Connector 2	4	
15	GB/T93-1987	Spring Washer 8	8	
16	GB/T97.1-2002	Washer 8	8	
17	GB/T5783-2000	Screw M8×25	8	
18	GB/T5783-2000	Screw M10×35	10	
19	GB/T93-1987	Spring Washer 10	10	
20	GB/T97.1-2002	Washer 10	10	
21	GB/T6170-2000	Nut M10	10	
22	GB/T6170-2000	Nut M8	8	
23	GB/T95-2002	Washer 8	8	
24	GB/T93-1987	Spring Washer 8	8	
25	GTWY8S-420700	Bracket	1	



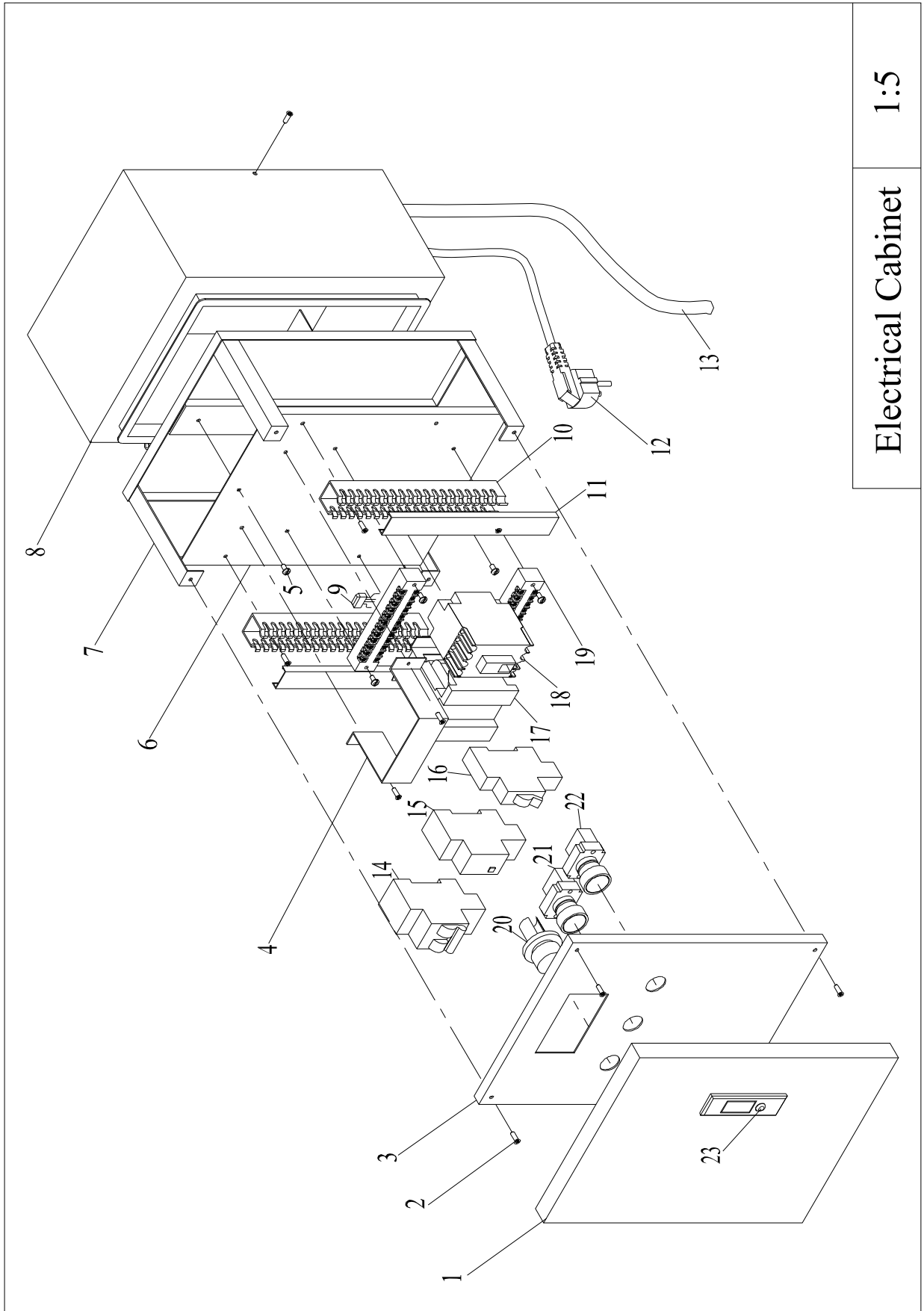
### Section 7 Hydraulic System



## Spareparts For Hydraulic System

No.	Part Number	Description	Quantity	Remark
1	GTWY8S-520000	hydraulic power pack	1	
2	GTWY8-540002	Connector	1	
3	JB982-77	Joint Washer 16	2	
4	GTWY8S-540001	Street tee	1	
5	GTWY8-540100	Tube $\Phi$ 16-1300	2	
6	GTWY8-540004	Seat	1	
7	GTWY8-540003	Connector	1	
8		Solenoid Nut	1	
9	YV1	Solenoid	1	
10		Rod	1	
11	GTWY8-540001	Connector	1	
12	GTWY8-530008	piston	2	
13	UHS35	sealing ring UHS35 $\times$ 45 $\times$ 7	2	
14	GTWY8-530007	back-up ring 2	2	
15	GTWY8-530006	sleeve	2	
16	GB895.1	wire ring 25	2	
17	GTWY8-530005	rod	2	
18	GTWY8-530004	guider	2	
19	DH30	dust-proof seal	2	
20	GTWY8-530003	back-up ring 1	2	
21	GTWY8-530002	sleeve	2	
22	GTWY8-530001	cylinder	2	
23	JB982-77	Joint Washer 18	4	

### Section 8 Electrical Cabinet



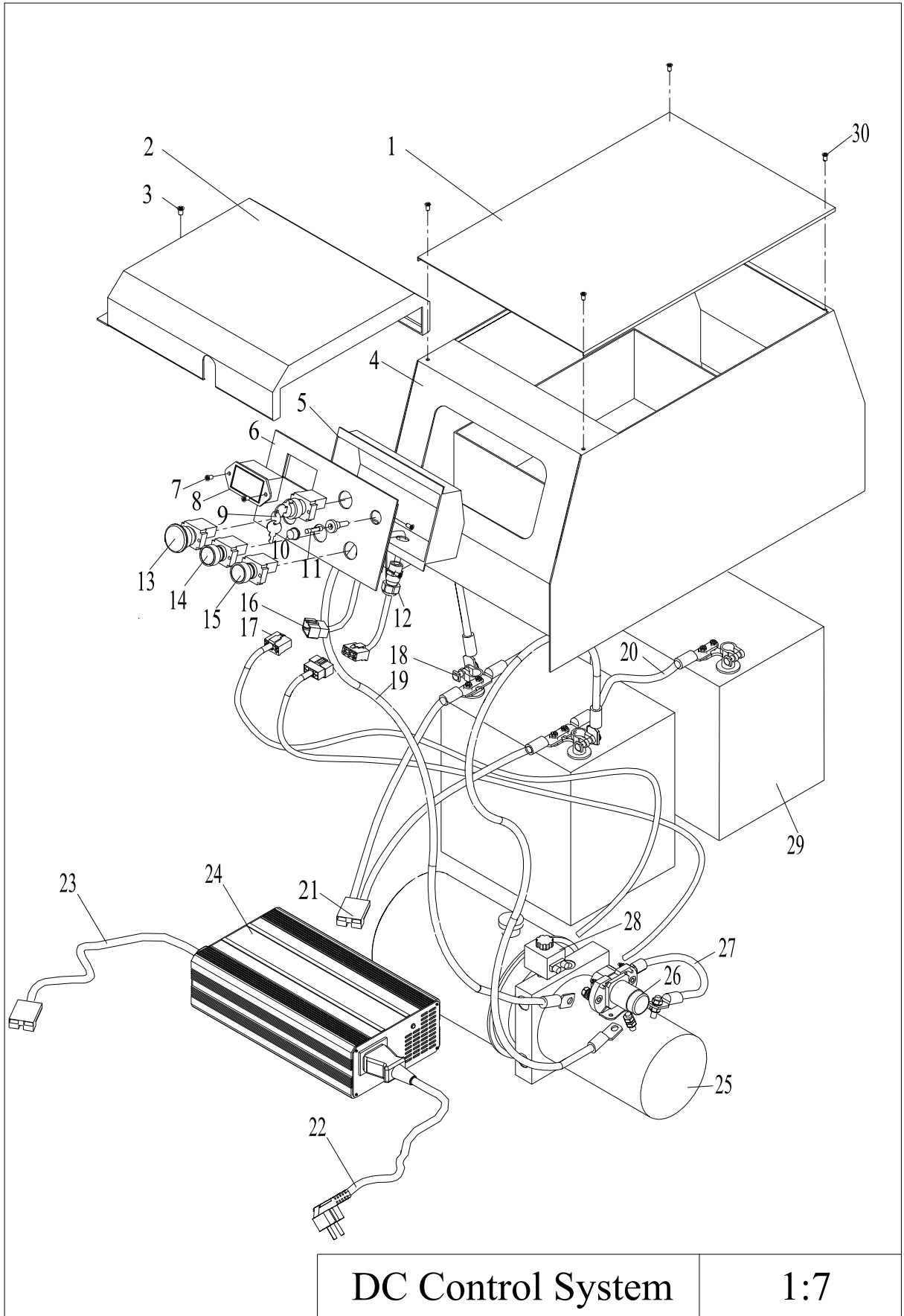
Electrical Cabinet 1:5



## Spareparts For Electrical Cabinet

No.	Part Number	Description	Quantity	Remark
1	GTWY8-710005	Door	1	
2	GB/T819.1-2000	Screw M4×10	16	
3	GTWY8-710003	Panel	1	
4	GTWY8-710002	Bracket	1	
5	GB/T818-2000	Screw M4×10	2	
6	GTWY8-710001	Fixing Plate	1	
7	GTWY8-710100	Bottom Plate Group	1	
8	GTWY8-710004	Body	1	
9	VC1	Rectifier	1	
10	GTWY8-610001	Carriage	2	
11	GTWY8-610002	Cover	2	
12	XP1	Plug	1	
13	GTWY8-610003	Cable	1	
14	QF1	Circuit Breaker	1	
15	RCD1	Leackage Breaker	1	
16	QF2	Circuit Breaker	1	
17	TC1	Transformer	1	
18	KM1	Contactor	1	
19	GTWY8-610004	Terminal	2	
20	HL1	Power Indicator	1	
21	SBS1	Up Button	1	
22	SBS3	Down Button	1	
23	GTWY8-710006	Lock	1	

### Section 9 DC Control System



DC Control System

1:7

## Spareparts For DC Control System

No.	Part Number	Description	Quantity	Remark
1	GTWY8-110501	Cover Plate	1	
2	GTWY8-110700	Cover	1	
3	GB/T819.1-2000	Screw M5X10	1	
4	GTWY8-110600	Motor Cover	1	
5	GTWY8-110800	Box	1	
6	GTWY8-110900	Penal	1	
7	GB/T819.1-2000	Screw M5X10	4	
8	GTWY8-620001	Potentiometer	1	
9	GTWY8-620002	Key Switch	1	
10	GTWY8-620003	Container	1	
11	GTWY8-620004	Fuse	1	
12	GTWY8-110504	Connecter	2	
13	SB1	Emergency Switch	1	
14	SBS1	Up Button	1	
15	SBS3	Down Button	1	
16	GTWY8-620005	Socket	2	
17	GTWY8-620006	Plug	2	
18	GTWY8-620007	Terminal Set	4	
19	GTWY8-620008	Cable	2	
20	GTWY8-620009	Cable	2	
21	GTWY8-620010	Socket	1	
22	GTWY8-620011	Input Plug	1	
23	GTWY8-620012	Output Plug	1	
24	GTWY8-620013	Charger	1	
25	GTWY8-520000	DC Power Unit	1	